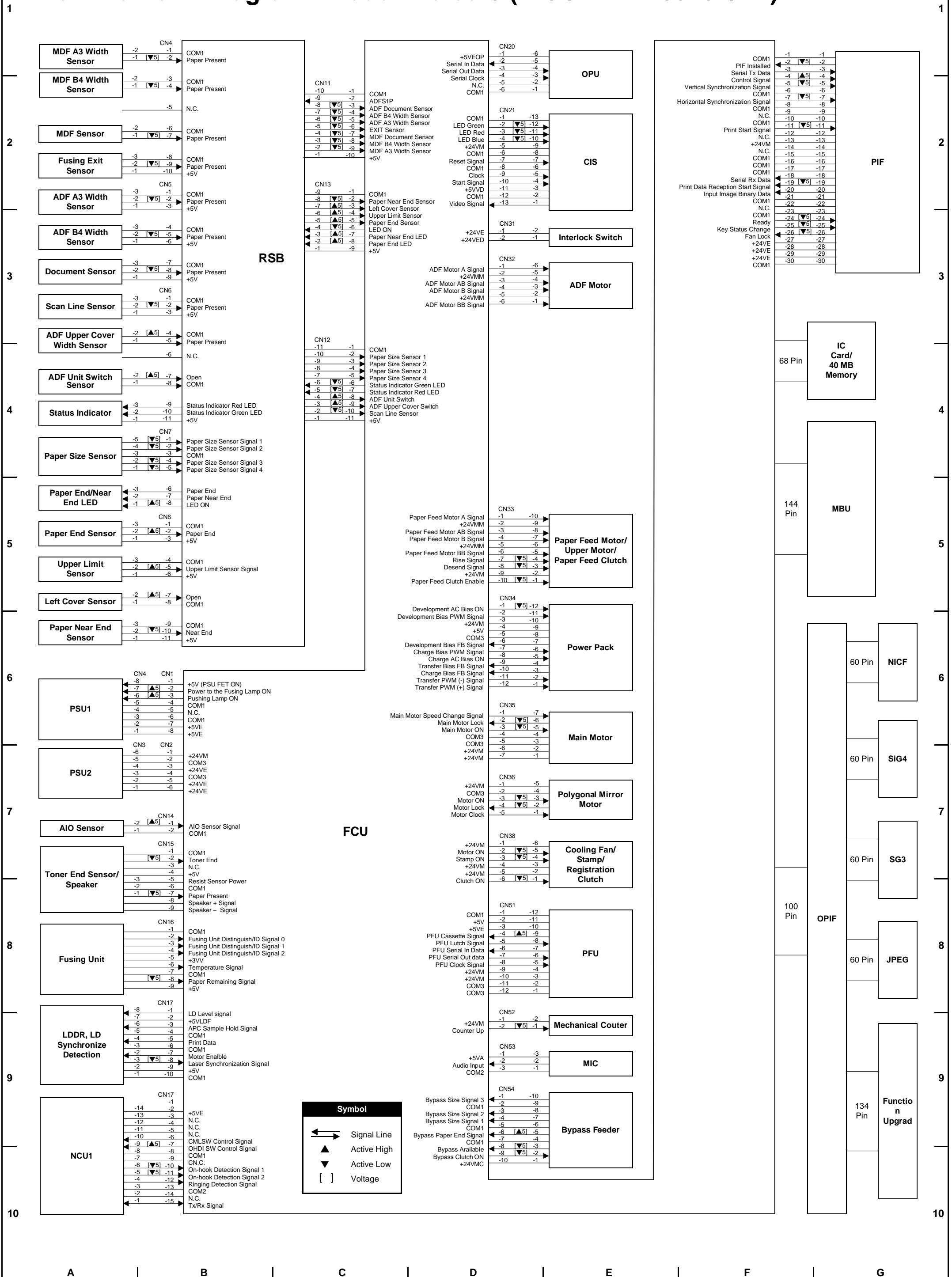


# Point to Point Diagram Model: Kaiser3 (RICOH FAX 5510L/NF)



**Symbol**

- ↔ Signal Line
- ▲ Active High
- ▼ Active Low
- [ ] Voltage